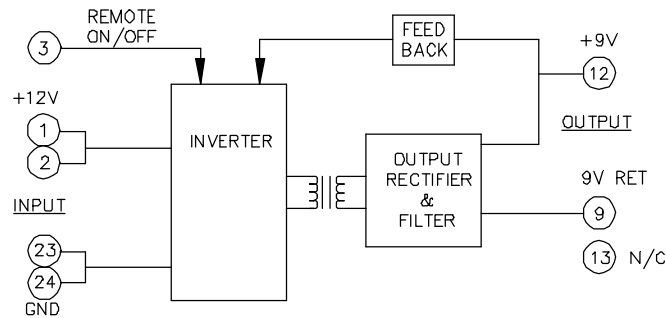


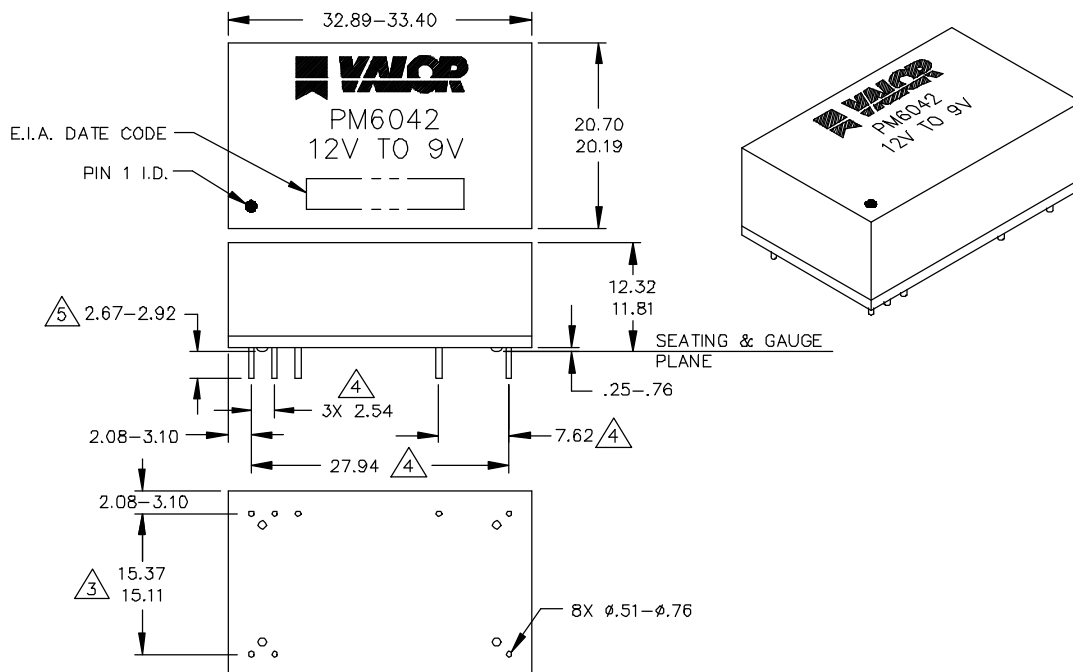
## Electrical



### ELECTRICAL SPECIFICATIONS AT 25°C

INPUT VOLTAGE	: 10.2 – 15.75 VDC	
INPUT CURRENT	: 330mA MAX	
OUTPUT VOLTAGE	: 9.0 ±0.45VDC	
OUTPUT CURRENT	: 80mA MIN – 225mA MAX	
OUTPUT RIPPLE (20MHz BW)	: 100mV P-P MAX	
SHORT CIRCUIT PROTECTION	: MOMENTARY	
OPERATING TEMP RANGE	: 0° TO 70°C	
STORAGE TEMP RANGE	: -40° TO 105°C	
HI POT	: 2000VRMS (1 MIN)	
EFFICIENCY	: 66% MIN AT 12V IN AND 225mA LOAD	
REMOTE ON/OFF	: >2V, .2mA MAX	OFF
	: NO CONNECTION	ON
	: <.8V	ON

## Mechanical



WEBSITE [www.valorinc.com](http://www.valorinc.com) E-MAIL [marketing@valorinc.com](mailto:marketing@valorinc.com)

**NORTH AMERICA**  
tel 1-800-31 VALOR  
fax 619-537-2525

**ASIA/PACIFIC**  
tel +852-2953-1000  
fax +852-2953-1333

**EUROPE**  
tel +44-1727-824 875  
fax +44-1727-824 898